



Acme Sanitary Ware Co Ltd

Acme Building, 22-28 Nanking Street, Kowloon, Hong Kong
Tel: 2388 7171 Fax: 2710 8012
E-mail: acme@acmesanitary.com.hk
Website: www.acmesanitaryware.com.hk



Pure Freude
an Wasser

PROJECT		REF		REV	ITEM CODE	
LOCATION		DATE			PAGE	

SANITARY WARE SPECIFICATION SHEET

Item Descriptions	GROHE (Germany) "Grandera" Wall mounted three-hole basin mixer 1/2" S-Size (Projection 177 mm)
Dimensions	L177 x W330 x H60 mm
Model	20414000
Finish / Material	Chrome Plated
Country of origin	Germany
Manufacturer	GROHE Limited
Supplier	Acme Sanitary Ware Co. Ltd Mr. Eric Wong/ Mr. Don Yuen
Contact Tel/Fax	(852) 2388-7171 / (852) 2710-8012
E-mail	acme@acmesanitary.com.hk
Website	www.acmesanitary.com.hk

Illustration/ Drawing

Technical drawing details:
 - Side view: Ø60, G 1/2, 177, 18-38°
 - Front view: M24x1, 92, 100, 100, 330, Ø60

Colour options:
 ● 000 | StarLight Chrome ● IG0 | Chrome/Gold

"Grandera"
Wall mounted three-hole basin mixer 1/2" S-Size

- wall mounted
- set for final installation for 29 025 002
- **without concealed body**
- valves hot/cold with headparts 1/2" - 90°
- **GROHE StarLight** chrome finish
- **GROHE EcoJoy** technology for less water and perfect flow
- **GROHE AquaGuide** adjustable mousseur 5.7 l/min
- centre distance 200 mm
- projection 177 mm

20414000 **20414IG0**

Note:

* All information of the above is for the reference only. No prior notice is made if any changes.



PROJECT		REF		REV	ITEM CODE	
LOCATION		DATE			PAGE	

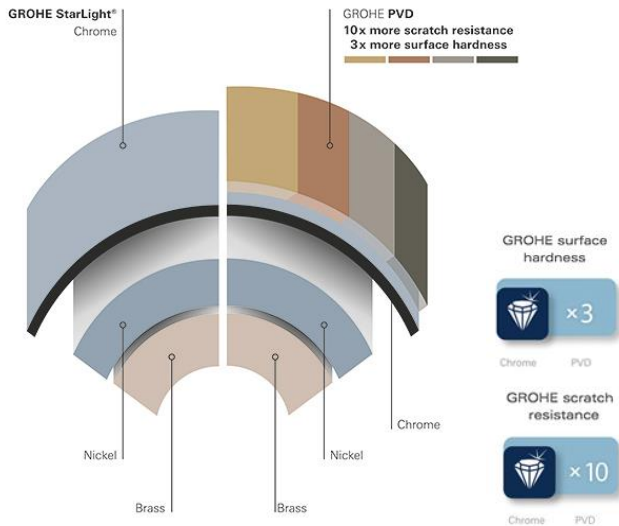
SANITARY WARE SPECIFICATION SHEET

GROHE GRANDERA

TOMORROW'S GRAND STYLE

The GROHE Grandera collection is both a homage to an age of grandeur long past and an affirmation of modern sensibility, combining the highest standards of quality and craftsmanship with a love of detail and comfort.

Stylistically, the Grandera collection can be combined with a wide range of bathroom furnishings, with the added flexibility of two colors – chrome and chrome / gold.



GROHE STARLIGHT

Made-to-last surfaces ranging from precious matt to shiny like a diamond.



GROHE ECOJOY

Save precious resources and enjoy 100 % water comfort.



AQUAGUIDE

Variable spout end for adjustment of water flow.



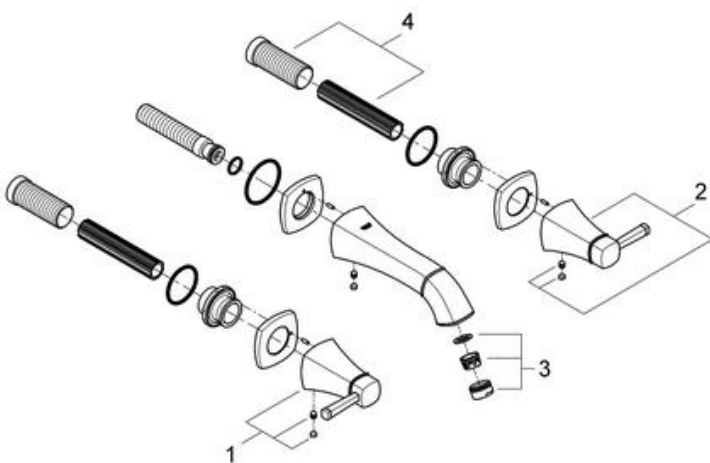
Easy to clean thanks to the GROHE StarLight chrome coating

Just wipe the tap down with a dry cloth – the ultra smooth surface finish is scratch resistant and ensures a lasting luminous sheen. You'll save plenty of time cleaning while your tap always looks shiny and new.



GROHE EcoJoy with water-saving function for reduced consumption

GROHE EcoJoy reduces water consumption by up to 50% without compromising on performance. Whenever you turn on your tap, you will enjoy a full jet of water while saving money nonetheless.



Pos.-nr.	Prod. description	Order-nr.
1	Grandera handle red	48198000
2	Grandera handle blue	48199000
3	Flow straightener	46837000
4	Extension for spindle	45988000

* Optional accessories

Note:

* All information of the above is for the reference only. No prior notice is made if any changes.